

# 7PG23 5B3

Restricted Earth Fault

## Document Release History

This document is issue 02/2010. The list of revisions up to and including this issue is:

Pre release

02/2010	Document reformat due to rebrand

## Software Revision History

--	--	--

The copyright and other intellectual property rights in this document, and in any model or article produced from it (and including any registered or unregistered design rights) are the property of Siemens Protection Devices Limited. No part of this document shall be reproduced or modified or stored in another form, in any data retrieval system, without the permission of Siemens Protection Devices Limited, nor shall any model or article be reproduced from this document unless Siemens Protection Devices Limited consent.

While the information and guidance given in this document is believed to be correct, no liability shall be accepted for any loss or damage caused by any error or omission, whether such error or omission is the result of negligence or any other cause. Any and all such liability is disclaimed.

## Contents

Contents.....	2
1. UNPACKING, STORAGE AND HANDLING.....	3
2. RECOMMENDED MOUNTING POSITION.....	3
3. RELAY DIMENSIONS .....	3

## 1. UNPACKING, STORAGE AND HANDLING

On receipt, remove the relay from the container in which it was received and inspect it for obvious damage. To prevent the possible ingress of dirt the sealed polythene bag should not be opened until the relay is to be used. If damage has been sustained a claim should immediately be made against the carrier, also inform Reyrolle Protection and the nearest Reyrolle agent. When not required for immediate use, the relay should be returned to its original carton and stored in a clean, dry place.

## 2. RECOMMENDED MOUNTING POSITION

The relay should be mounted on the circuit breaker or panel to allow the operator the best access to the relay functions.

## 3. RELAY DIMENSIONS

The relay is supplied in single element, case range size 3 or Vedette case range size 2/3V.

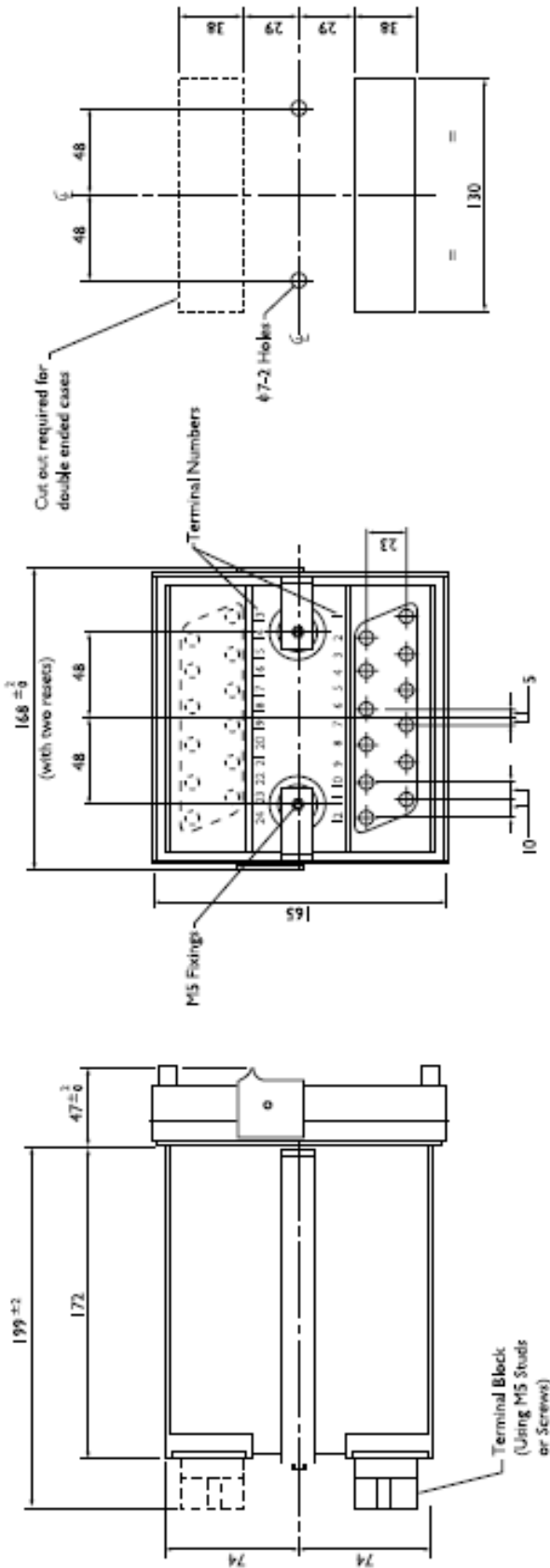


Figure 1 Vedette 2/3V Case

Side View

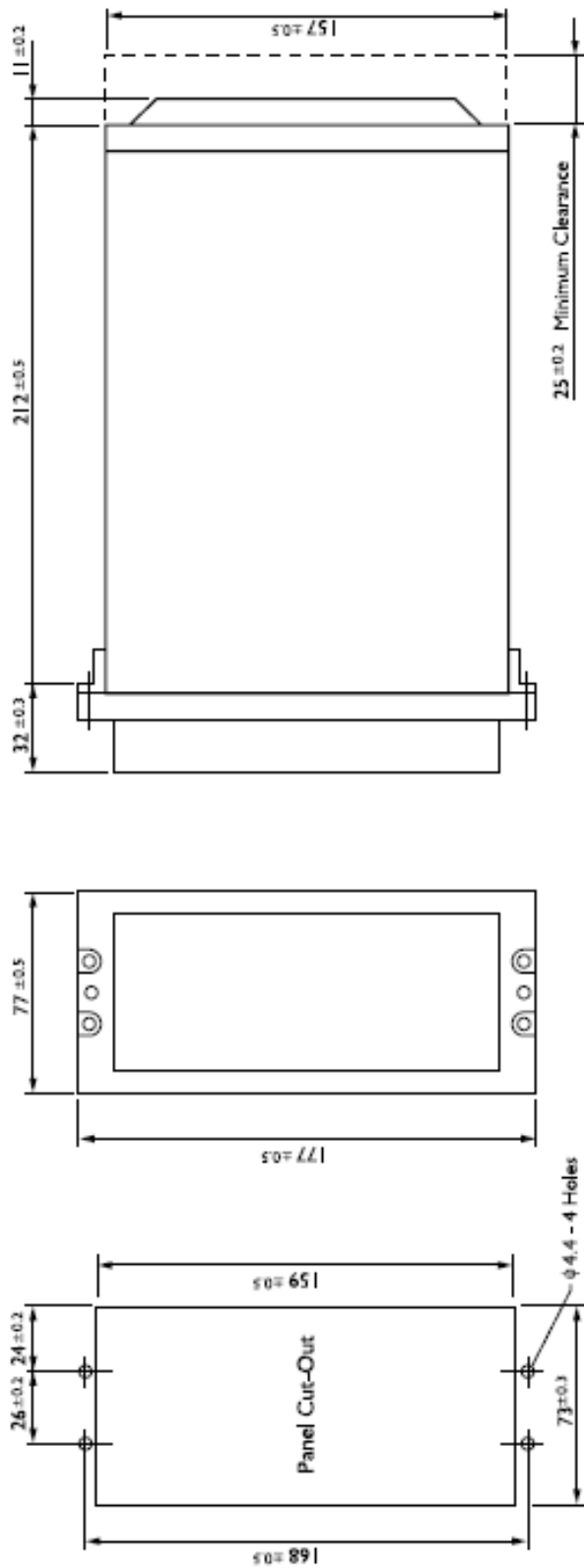
Rear View

Notes: 1) Panel Cutout: Projecting Mounting  
(As shown above)

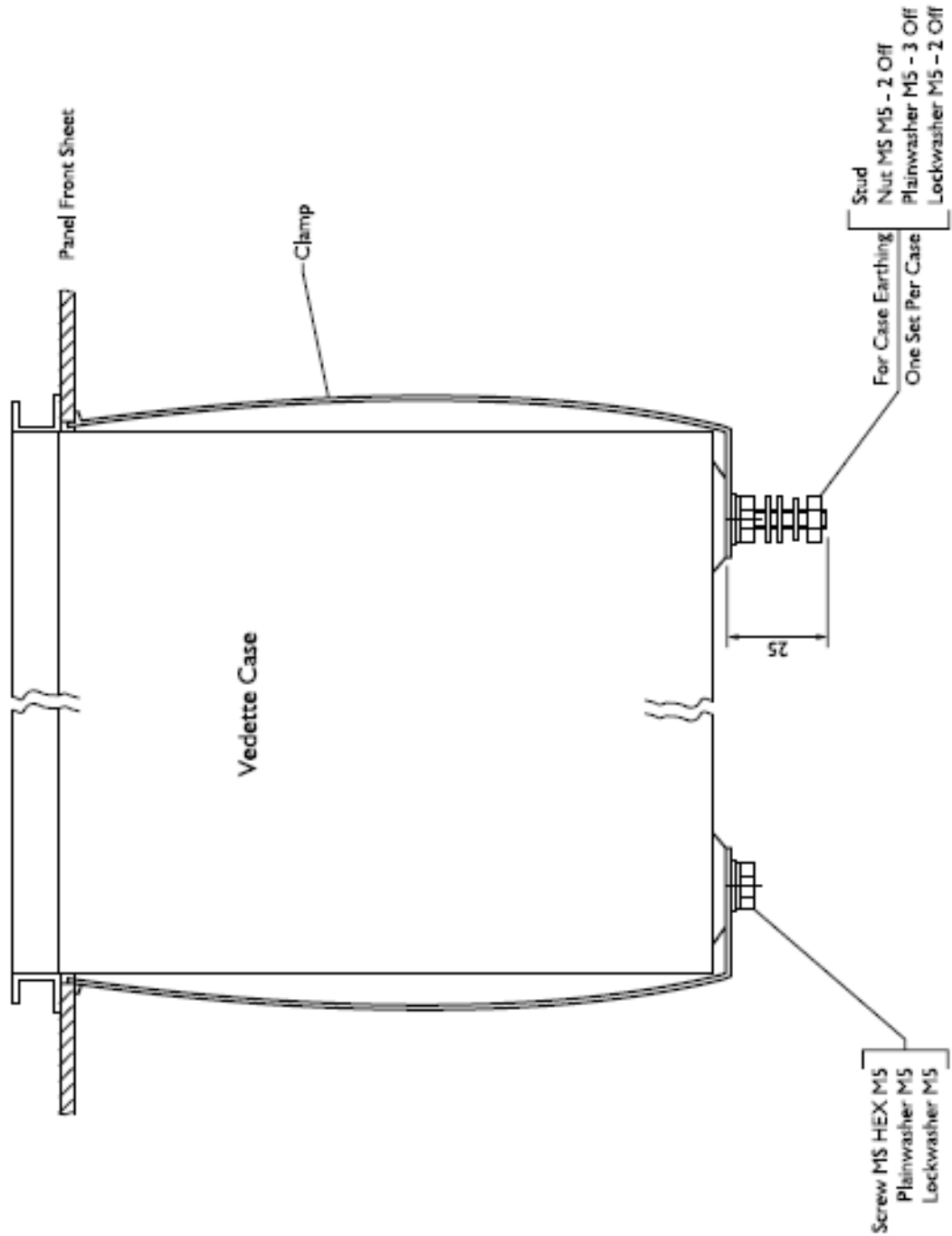
2) Panel Cutout: Flush Mounting  
150 by 150mm ±0.5

3) Kit of Parts for Flush Panel Mounting  
See Drawing 409X19006

4) Recommended minimum Relay  
Centres 178mm



**Figure 2 Size 3 Case**



**Figure 3 Method of Flush Mounting the Vedette Series 3 Case**